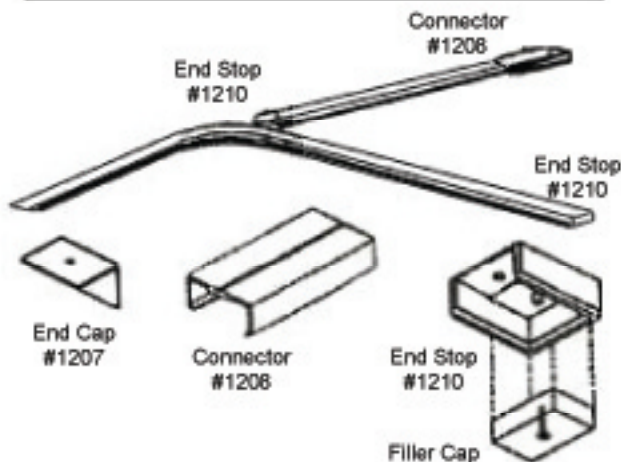


CUBICLE TRACK

No. 1200

Ceiling Mounted Cubicle Track

A general-purpose aluminum cubicle track (1 3/8" x 3/4") ideal for enclosing patient beds, shower areas or anywhere personal privacy is required. 12" radius corner bends are standard. Available in white baked enamel finish.



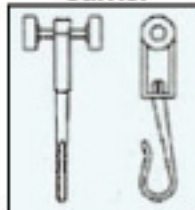
#12 Roller



#11 Glide



#20 Breakaway Carrier



CUBICLE CURTAIN CARRIERS

No. 12 Roller

The No. 12 Roller is made of a nylon axle, two nylon wheels, a tangle-free nylon swivel stem and a chrome-plated steel hook. The nylon parts are extremely durable and will not rust or break.

The No. 12 Roller is recommended for use in the no. 1200 Cubicle Track.

No. 11 Glide

The No. 11 Glide is made of a one-piece nylon spool, a tangle-free nylon swivel and a chrome-plated steel hook.

The No. 11 Glide is recommended for use in either the No. 1200 or 1100 Cubicle Track.

No. 20 Breakaway Carrier

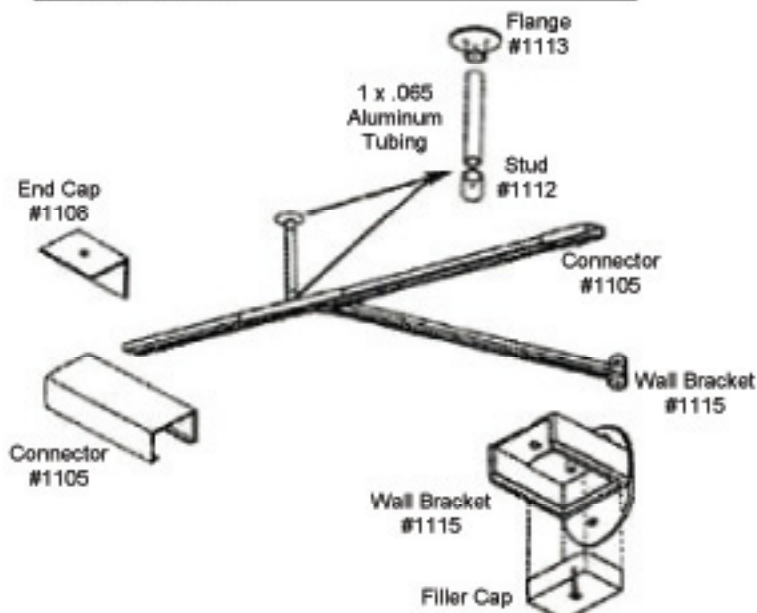
The Breakaway Carrier is made of nylon wheels, body and hook.

The Breakaway Carrier is recommended for use in the No. 1200 Cubicle Track.

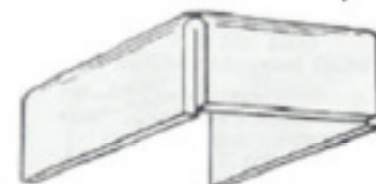
No. 1100

Suspended Cubicle Track

A general-purpose aluminum cubicle track (1 3/8" x 3/4") designed to be suspended in areas with high ceilings or where obstructions prevent mounting the track directly to the ceiling. The track is suspended with 1" O.D. aluminum tube attached to the ceiling and track with plastic Flanges. 12" radius corner bends are standard. Available in white baked enamel finish.



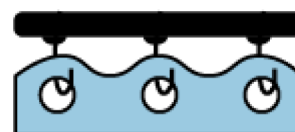
End Stop



Track



Curtain Carrier



**Cubicle
Curtain
Factory**

7810 S Dixie Highway
West Palm Beach, FL 33405
Toll Free: 800.588.9296 | Fax: 561.202.0015
www.cubiclecurtainfactory.com