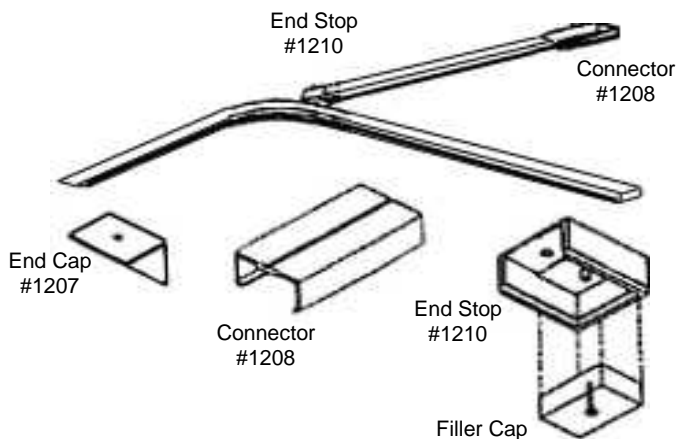


#1200 Ceiling Mounted Cubicle Track

Installation Procedure

1. Refer to the layout drawing for location and size of bends and straight pieces of track.
2. Apply the connector half way into leg of corner bend. Attach the end cap to the end of the track. Install on ceiling grid or plaster ceiling using suitable fastener for the type of construction. For ceiling grid, insert 1-inch, #8 hex head self-tapping metal screw into track opening (use toggle bolts for plaster & dry-wall ceilings). Set screws at approximately every 30-inches on center. Tighten the screw vertically so that the screw head is flush with track base to permanently attach the track to ceiling grid and allow carriers to flow freely without carriers touching the screw head.
3. Connect the straight track to the corner bend and attach the end stop to the open end of the track.
4. Continue in accordance with layouts shown on drawing using bends and straight pieces of track as indicated.
5. When track is completely installed and ready for use, put required number of "carriers" into track at end stops. Close opening by inserting the filler cap and fastening it to the end stop housing with a #8 x 1" screw (included).



Suspended Cubicle Track

Installation Procedure

1. Refer to the layout drawing for location and size of bends and straight pieces of track.
2. Construct suspension supports by attaching the aluminum tubing into the flange on one end and into the stud on the other end. Secure with 1-inch, #8 hex head self-tapping metal screw.
3. Install a suspension support (shown below) at every bend, every connection, and / or every 5 feet of straight track. (Note: if the track is suspended more than 24", the suspension supports should be placed closer together.)
4. Install the track into the stud of the suspension support. Secure ends of track to wall using the wall bracket.
5. Continue in accordance with layouts shown on drawing using bends and straight pieces of track and components as indicated.
6. When track is completely installed and ready for use, put required number of "carriers" into track at wall bracket. Close opening by inserting the filler cap and fastening it to the wall bracket housing with a #8 x 1" screw (included).

